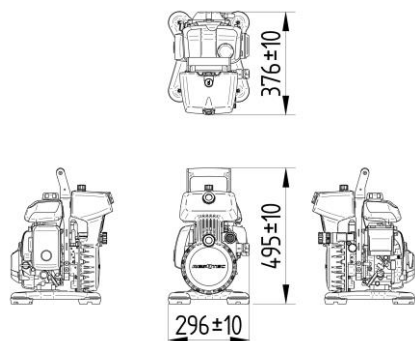


TECHNICAL SPECIFICATIONS GXH50 STO 3SR



GXH50 STO 3SR MINI

NEO1

HP/FF

Nominal pressure	UltimatePressure™ 350 bar	UltimatePressure™ 350 bar
EN-13204 designation	STO	STO
+SMART auto speed regulator with manual override	No	No
Running time	Ca. 180 min	Ca. 180 min
Engine / power supply	Honda 1.6kW (2.1 HP) 4-stroke petrol	Honda 1.6kW (2.1 HP) 4-stroke petrol
Fuel tank capacity	0.77 liter	0.77 liter
Noise level at 1 meter distance (EN-13204)	Lpa 80 dB	Lpa 80 dB
NFPA emission sound level at 4 meter distance	Lpa 74 dB	Lpa 74 dB
Dimensions (L x W x H)	376 x 296 x 495 mm (±10 mm)	376 x 296 x 495 mm (±10 mm)
EN-13204 weight (ready use HF & fuel full)	19.1 kg (±0.2 kg)	19.2 kg (±0.2 kg)
Weight with HF but no fuel	18.4 kg (±0.2 kg)	18.5 kg (±0.2 kg)
Dry shipping weight (with motor oil)	15.7 kg (±0.2 kg)	15.7 kg (±0.2 kg)
Pump	3-stage radial piston	3-stage radial piston
Total hydraulic fluid capacity	3.0 liter	3.0 liter
Effective hydraulic fluid capacity	2.0 liter	2.0 liter
1st stage (0 – 120 bar)	3,600 cc/min (3.6 l/min)	3,600 cc/min (3.6 l/min)
2nd stage (120 – 240 bar)	1,890 cc/min (1.9 l/min)	1,890 cc/min (1.9 l/min)
3rd stage (240 – 350 bar)	945 cc/min (0.9 l/min)	945 cc/min (0.9 l/min)

ACCESSORIES

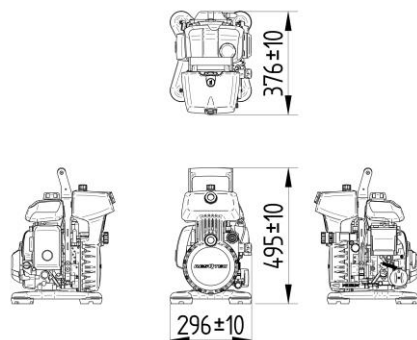
Art. Nr.

LED light add-on	9500.1000
Elevation add-on 1,000-2,000m	3434.1020
Elevation add-on 2,000-3,000m	3434.2030



TECHNICAL SPECIFICATIONS

GXH50 STO 3SR +SMART



GXH50 STO 3SR MINI +SMART

NEO1 

HP/FF 

Nominal pressure	UltimatePressure™ 350 bar	UltimatePressure™ 350 bar
EN-13204 designation	STO	STO
+SMART auto speed regulator with manual override	Yes	Yes
Running time	Ca. 180 min	Ca. 180 min
Engine / power supply	Honda 1.6kW (2.1 HP) 4-stroke petrol	Honda 1.6kW (2.1 HP) 4-stroke petrol
Fuel tank capacity	0.77 liter	0.77 liter
Noise level at 1 meter distance (EN-13204)	Lpa 80 dB	Lpa 80 dB
Noise level at 1 meter distance (4,500 rpm)	Lpa 77 dB	Lpa 77 dB
Noise level at 1 meter distance (2,500 rpm)	Lpa 69 dB	Lpa 69 dB
NFPA emission sound level at 4 meter distance	Lpa 74 dB	Lpa 74 dB
Dimensions (L x W x H)	376 x 296 x 495 mm (±10 mm)	376 x 296 x 495 mm (±10 mm)
EN-13204 weight (ready use HF & fuel full)	19.6 kg (±0.2 kg)	19.7 kg (±0.2 kg)
Weight with HF but no fuel	18.9 kg (±0.2 kg)	19.0 kg (±0.2 kg)
Dry shipping weight (with motor oil)	16.2 kg (±0.2 kg)	16.2 kg (±0.2 kg)
Pump	3-stage radial piston	3-stage radial piston
Total hydraulic fluid capacity	3.0 liter	3.0 liter
Effective hydraulic fluid capacity	2.0 liter	2.0 liter
1st stage (0 – 120 bar)	3,600 cc/min (3.6 l/min)	3,600 cc/min (3.6 l/min)
2nd stage (120 – 240 bar)	1,890 cc/min (1.9 l/min)	1,890 cc/min (1.9 l/min)
3rd stage (240 – 350 bar)	945 cc/min (0.9 l/min)	945 cc/min (0.9 l/min)

ACCESSORIES

Art. Nr.

LED light add-on	9500.1000
Elevation add-on 1,000-2,000m	3434.1020
Elevation add-on 2,000-3,000m	3434.2030



Information contained in this document is believed to be accurate. However RESQTEC does not guarantee the completeness or accuracy of any of the published information.



RESQTEC Zumro B.V.
 Meer en Duin 82 | 2163 HC Lisse, the Netherlands

T +31 (0)252 419002 **F** +31 (0)252 411794
E info@resqtec.com **W** www.resqtec.com

RESQTEC®