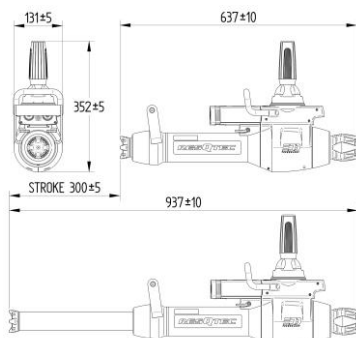


TECHNICAL SPECIFICATIONS

RAM V4 EDD



RAM V4 EDD

Drive technology	Electronic Direct Drive (non hydraulic)
Nominal input	43.2 VDC
Dimensions incl. detachable rear jaw (L x W x H)	637 x 131 x 352 mm
Max. extended length incl. detachable rear jaw	937 mm
Max. stroke	300 mm
Operational weight incl. Battery Pack 1	16.9 kg (±0.2 kg)
Operational weight incl. Power Connector	16.3 kg (±0.2 kg)
Weight excl. battery	15.9 kg (±0.2 kg)
Max. spreading / pushing force	98.1 kN / 10 ton
NFPA 1936	Compliant

ACCESSORIES

Art. Nr.

ACCESSORIES

Art. Nr.

LED light add-on	9500.1000	EX-150	8410.0500.00
Ram support	2350.0535	EX-300	8410.0510.00
Ram adapter	8420.0230	PX-M 600	8410.0520.00
Multiconnector fem-fem	8420.0260	Battery Pack 1	4300.0010
Crown	8420.0000	Battery Pack 10	4300.0390
Rhino	8420.0020	Power Connector	4300.0150
Multiswivel	8420.0110		
Fixed base	8420.0300		



Information contained in this document is believed to be accurate. However RESQTEC does not guarantee the completeness or accuracy of any of the published information.



RESQTEC Zumro B.V.

Meer en Duin 82 | 2163 HC Lisse, the Netherlands

T +31 (0)252 419002

E info@resqtec.com

F +31 (0)252 411794

W www.resqtec.com

RESQTEC®